

# SL8

ROOF TILES



Forticrete

THE INNOVATIVE LARGE FORMAT, THIN LEADING  
EDGE ROOF TILE WITH SUPERIOR COVERAGE



**Ibstock**  
At the heart of building

# Introducing SL8<sup>®</sup> – there's no other tile in its class

We've listened to our customers and created another innovation to meet the increasing demands of the roofing market.

**THE SL8<sup>®</sup> ROOF TILE HAS THE VISUAL CHARACTERISTICS OF NATURAL SLATE WITH BENEFITS THAT NO OTHER INTERLOCKING TILE CAN MATCH**

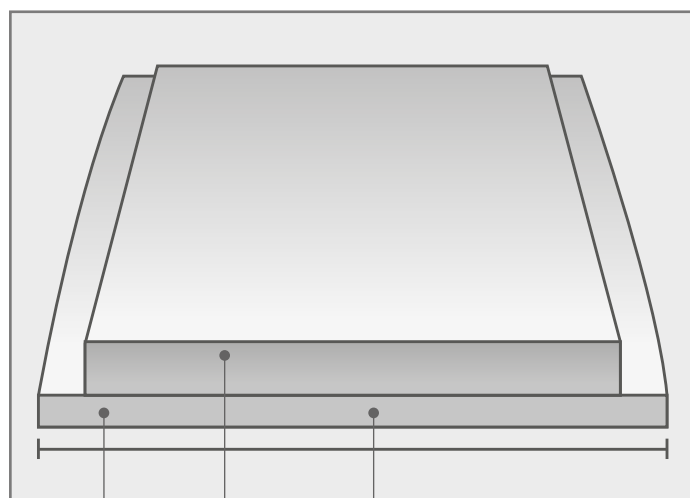
- A thin leading edge for impressive aesthetics
- A wider format for a more traditional slate appearance
- Superior coverage at just 8 tiles per square metre

## Technical Innovation and Reassurance

Through our innovative design and manufacturing technology the SL8<sup>®</sup> offers superior coverage – just 8 tiles per m<sup>2</sup> compared with 10 per m<sup>2</sup> found with many alternative products.

### TECHNICAL BENEFITS INCLUDE:

- 20% reduction in the number of tiles used resulting in fewer tiles to handle and lay
- A full range of maintenance free, mechanically fixed accessories is available
- Technical support, including full fixing specifications



SL8

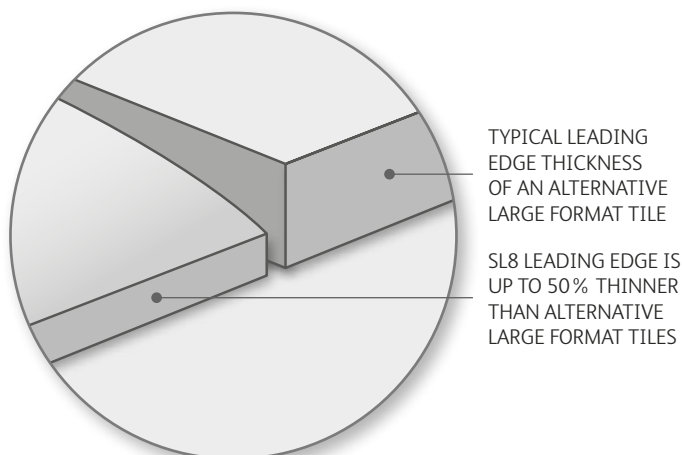
STANDARD

SL8 TILES ARE 20% BIGGER IN WIDTH AND ALSO THINNER IN TERMS OF LEADING EDGE.

### 10 LARGE FORMAT TILES VS. 8 SL8<sup>®</sup> TILES



SL8<sup>®</sup>, less tiles per square metre



TYPICAL LEADING EDGE THICKNESS OF AN ALTERNATIVE LARGE FORMAT TILE

SL8 LEADING EDGE IS UP TO 50% THINNER THAN ALTERNATIVE LARGE FORMAT TILES

DID YOU KNOW..?

**THE AESTHETICS OF SL8®  
ARE BETTER THAN EVER.**  
THE NEW THIN LEADING EDGE  
AND DIMENSIONS GO A LONG  
WAY TO REPLICATE REAL SLATE.

# A long history of innovation

Forticrete has a long history of innovation, creating aesthetically beautiful products with both efficiencies in build and great environmental credentials.

Our many examples include the Queen's Award winning Gemini twin interlocking tile, which revolutionised the use of plain tiles, as did the unique colouring process that created the authentic looking Sunrise Blend and Mixed Russet colours that are exclusive to our roof tiles.

Other innovations include Hardrow; the most authentic alternative to stone slates and Centurion, the only tile that can perform at roof pitches as low as 10 degrees. All of this is backed by our excellent customer service and technical support.

## A tile using the same system as traditional products for a better-looking roof

### ROOFING CONTRACTORS HAVE INSTALLED THE NEW SL8® AND COMMENTED ON ALL ASPECTS OF INSTALLATION:

- Easy to lay, with two nail holes for better fixing flexibility
- High strength meaning fewer breakages
- Packaging has been specifically designed to reduce damage and waste on-site
- The design makes loading out of the tiles onto the roof safe and secure
- Latest manufacturing technology ensures consistent quality
- Full range of roofing accessories available



RED



BROWN



SLATE GREY

\*NOTE: Where an exact colour match is critical, you are advised to view actual tile samples.



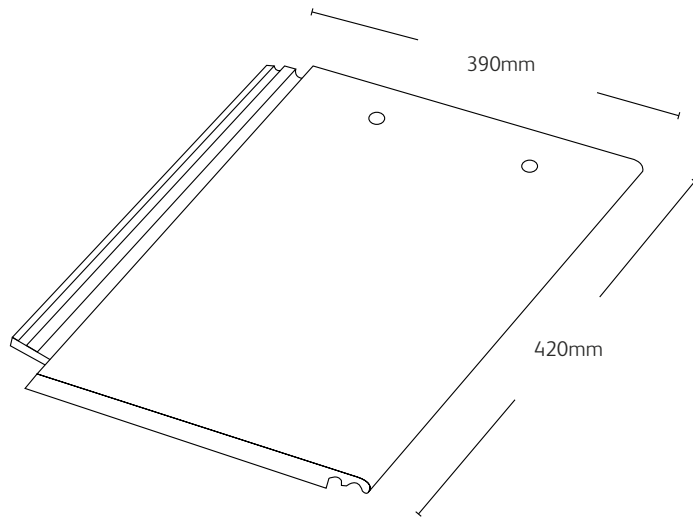
BLOOR HOMES

The Hallam  
Showhome

A luxury four bedroom detached

# Tile specifications

We've only gone and turned ten into eight.



## SL8 ROOF TILES

<b>OVERALL LENGTH</b>	420mm
<b>HANGING LENGTH FROM NIB</b>	396mm
<b>OVERALL WIDTH</b>	390mm
<b>COVER WIDTH</b>	362mm
<b>MASS</b>	5.4kg
<b>PITCH</b>	17.5° – 75°
<b>NAIL SIZE</b>	45mm x 3.35mm
<b>MINIMUM HEADLAP</b>	75mm
<b>BATTEN SPACING</b>	345mm
<b>TILES PER M<sup>2</sup></b>	8.01
<b>BATTERNS PER M<sup>2</sup></b>	2.90lm
<b>MASS PER M<sup>2</sup></b>	43.24kg
<b>MAXIMUM HEADLAP</b>	100mm
<b>BATTERN SPACING</b>	320mm
<b>TILES PER M<sup>2</sup></b>	8.63
<b>BATTERNS PER M<sup>2</sup></b>	3.13lm
<b>MASS PER M<sup>2</sup></b>	46.62kg

### ASSOCIATED PRODUCTS

- Comprehensive range of mechanically fixed accessories
- Comprehensive range of ventilation systems to comply with BS 5250
- Tile clips

### FIXING SPECIFICATIONS

- The exposure, location, and roof design will determine the tile fixing specification
- Fixing specifications in line with BS 5534 should be obtained prior to installation on-site from [www.myforticreteroof.co.uk](http://www.myforticreteroof.co.uk)

### WORKING PROCEDURES, SAFETY AND GENERAL PRECAUTIONS

Tiles should be fixed in accordance with BS 5534. Forticrete recommend that operatives installing all types of slates and tiles regard the products as being fragile as stated in BS 8000 Section 5.

During installation of the products, the correct setting out and working procedures should be employed to avoid walking directly on to products which have been fixed or on any completed area of a roof.

Should it be necessary to gain access via the roof where battens of adequate strength cannot be used as footholds, this should not be attempted without the use of adequate protection to the tiles or slates including the required number of crawling boards, ladders and cat ladders.

Please note that where there is a change of roof pitch, packing may be required between crawling boards, cat ladders, and the surface of the tiles or slates to avoid damage to the product.

Installers should note that Forticrete do not recommend the cutting of roof tiles or slates in-situ.

Other information can be obtained from the Health and Safety in Roof Work publication HSG33 and in the Working on Roofs publication INDG284.

Reference should also be made to the Forticrete technical literature and site specific Fixing Specification.



**HEAD OFFICE**

Forticrete, Boss Avenue, Leighton Buzzard, Bedfordshire LU7 4SD  
T: 01525 244900  
E: info@forticrete.com  
www.forticrete.co.uk



Forticrete is an Istock Plc company.

